

MM Wiper blades



Highlights

Conventional mild steel wiper blade series with excellent wiping characteristics and a long life. Available in lengths from 650 mm to 1300 mm. Some lengths are available in Wash wipe version.

R6 natural rubber with graphite finish and graphite integration for less friction coefficient and lower blade noise.

Description

Frame

- Conventional blades featuring riveted joints, integrated with bolted connection to standard Exalto wiper arms.
- Brackets made of durable steel metal sheets with anti-corrosion, zinc coating exceeding 25 micrometer.
- Coating/paint: polyester resin with high resistance on UV and atmosphere conditions (salts, acids, air pollution).
- Plastics: made of PBT (Polybutylene Terephthalate), technical resin with perfect mechanical properties and high resistance to environmental conditions.

Rubber R6

- Compound based, pure natural rubber and additional chemical components and graphite.
- Graphite is integrated during the rubber blending and creates maximum effect during the life time of the blade.
- Rubber comply with automotive standards related to mechanical properties, wiping performance and ozone resistance.

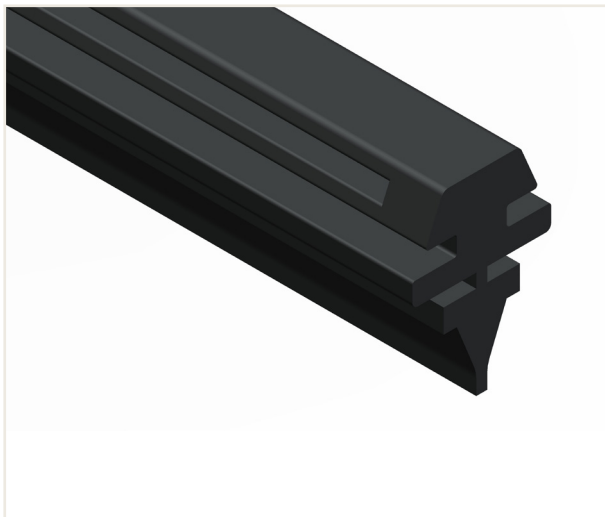


Model series

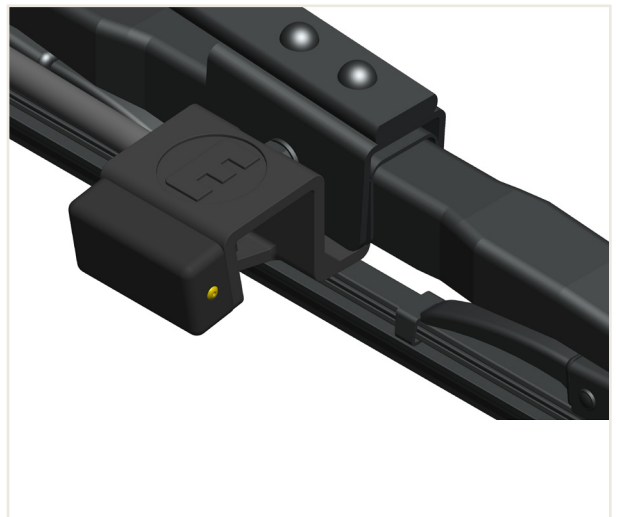
Single blade	Wash wipe blade	Size	Speciality
21.1000MM.R6		1000 mm	
21.1100MM.R6		1100 mm	
21.1200MM.R6	21.1200MM.2WW.R6	1200 mm	standard flow nozzles
	21.1200MM.2WW.HFR6	1200 mm	high flow nozzles
21.1300MM.R6		1300mm	

Specifics

- The molded rubber profile is very strong and flexible enabling a smooth switch.
- Wash wipe blade carries two nozzles, close to the windscreen to avoid fluid loss due turbulence.
- Both plastic nozzles are fitted by plastic supports. Both nozles carry 4 flow jets (standard or high flow).



Picture #1 rubber profile



Picture #2 nozzle