

CN Wiper blades



Highlights

Conventional mild steel wiper blade series with excellent wiping characteristics and a long life available in lengths from 1000 mm to 1500 mm. Some lengths available in Wash wipe version.

R3 industrial type rubber with graphite finish.

Description

Frame

- Conventional blades featuring riveted joints, integrated with bolted connection to standard Exalto wiper arms.
- Brackets made of durable steel metal sheets with anti-corrosion.
- Coating/paint: polyester resin with high resistance on UV.
- Integrated connector rivet: provides high structural strength against side load impact.

Rubber R3

- Compound based, pure natural rubber and additional chemical components and graphite.
- Industrial type pure rubber with graphite top layer.
- Pre-fitted multi-function connector with anti-rotational feature which prevents the blade from flipping upside down when cleaning the windscreen.



Model series

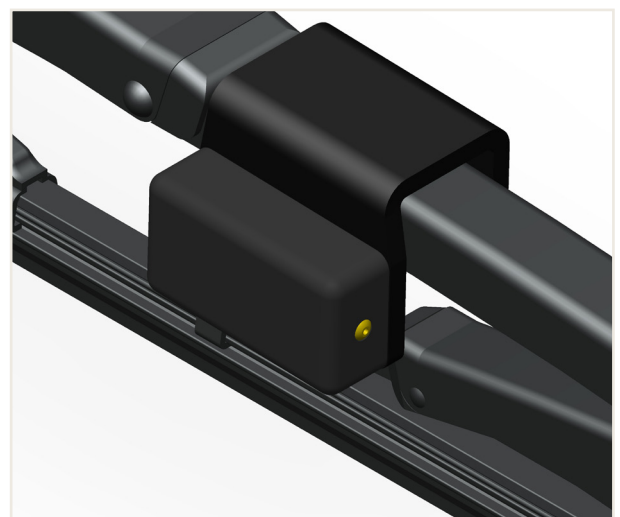
Single blade	Wash wipe blade (LH/RH parking)	Size	Speciality
2161000		1000 mm	
		1100 mm	
2161200	2161200.2WW.RH.R3	1200 mm	for Right Hand parking/standard flow nozzles
	2161200.2WW.LH.R3	1200 mm	for Left Hand parking/ standard flow nozzles
	2161200.2WW.LH.HFR3	1200 mm	for Left Hand parking/high flow nozzles
2161300		1300 mm	
2161500		1500 mm	

Specifics

- The molded rubber profile is very strong and flexible enabling a smooth switch.
- Simple to fit.
- Tough and durable.
- Low friction.
- High wipe quality
- Wash wipe blade carries two nozzles, close to the windscreen to avoid fluid loss due turbulence.
- Both plastic nozzles are fitted by plastic supports. Both nozles carry 4 flow jets (standard or high flow).



Picture #1 rubber profile



Picture #2 nozzle

