



### Contact Information:

Name \_\_\_\_\_

Company \_\_\_\_\_

Address \_\_\_\_\_

ZIP \_\_\_\_\_ City \_\_\_\_\_

Country \_\_\_\_\_

Phone \_\_\_\_\_

E-mail \_\_\_\_\_

### Motor Voltage and Location

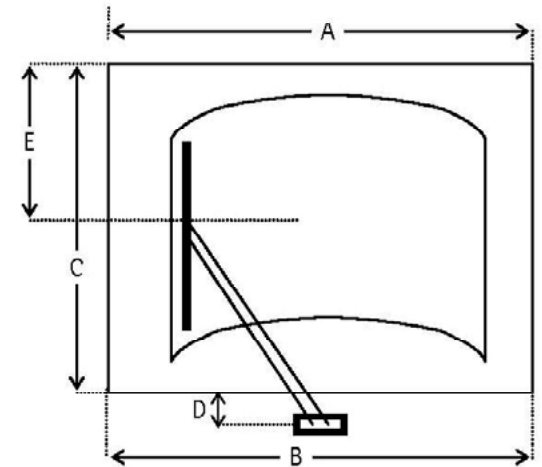
- 12V
- 24V
- Below Window
- Above Window

### Switchgear Selection

- Electronic Control Panel
- Electronic Wiper Switch
- Individual Switch with intermittent
- Individual Switch without intermittent
- No Switchgear needed

### Washing System Details

- Complete System from Ship's Supply
- Complete System from Reservoir
- Bulkhead Mounted Jet
- Arm Mounted Jet
- No Washing System needed



### Window Types:



### Additional Comments:

Window Dimensions	Port	Port / Center	Center	Starboard / Ctr	Starboard
Window Type (see drawing)					
Window Height (C)					
Width of Glass / Top (A)					
Width of Glass / Bottom (B)					
Centre Distance* (D)					
Eye Level (E)					
Bulkhead Thickness					

\* The Centre Distance is the distance between the inside edge of the windshield frame and the center of the motor shaft.

Please check if wiper motor mounting position is not parallel with windshield. If known, what's the angle between them: \_\_\_\_\_

**Exalto Wiper Technologies**

T +31 (0)85 203 1700

[exaltowipers.com](http://exaltowipers.com)