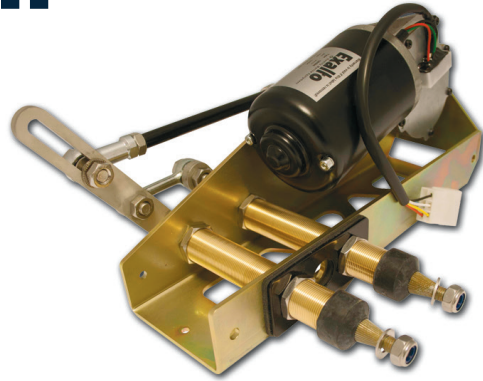


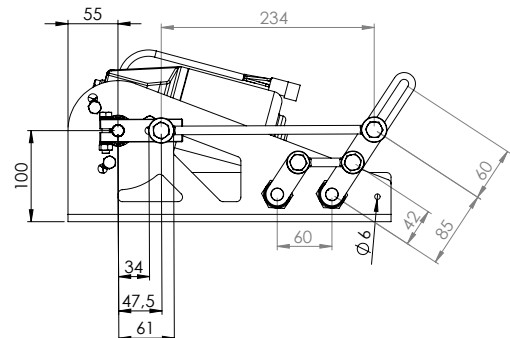
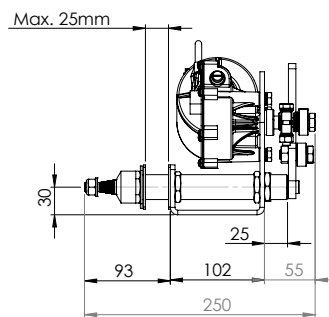
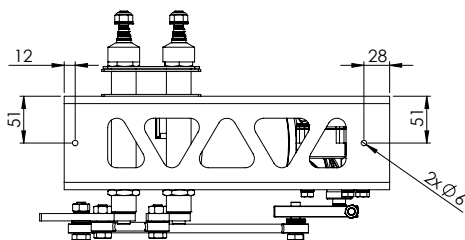
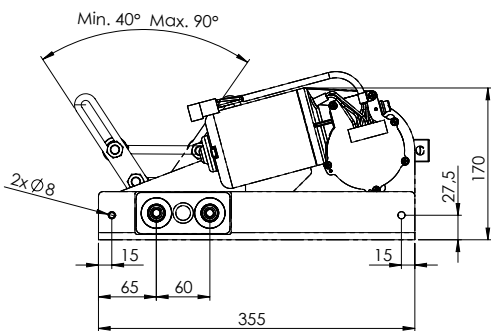
285 BS HD2 Wiper system

| | |
|-------------------------|-----------------------------|
| Application: | Windows up to 2100 mm |
| Torque: | 85Nm |
| Design: | Open housing |
| Wipe Arc system: | 40-90°, stepless adjustable |
| Pantograph system: | Double arm |
| Shafts: | 2 x ø27 mm |
| Centre distance shafts: | 60 mm |
| Wiper arms: | Up to 1200 mm in length |
| Wiper blades: | Up to 1500 mm in length |



Characteristics

- Pantograph/vertical wiping pattern
- 24volt DC
- Smooth quiet operation
- Slow and fast speed
- Self park function as standard
- Insulated earth return as standard
- Variable sweep angle as standard
- Standard shaft length to 25mm bulkhead thickness
- Various control options available for all bridge designs





Ordering details

- 2178.085 **Exalto wiper 285BS, 24V, 85Nm, bh 25 mm**
- 2178.02 **Surcharge for deviating shaft length, specified with order**

Exalto wiper arms, tupe P12

- 2144.B **Exalto P12 wiper arm, L = specified with order, 2 adjustable springs**

Spares and accessories for wiper arms

- 2105.048 **Headcover**
- 2105.048P **Headcover polished arm**
- 2185 **Washing jet, 4 nozzles, right side**
- 2185L **Washing jet, 4 nozzles, left side**
- 2111.CPL **Washing jet, 6 nozzles**

Exalto HD wiper blades

- | | | | |
|---------|---|-----------|---|
| 216126 | Exalto HD wiper blade, L = 900 mm | 216129.FL | Exalto HD wiper blade, L = 1100 mm |
| 216127 | Exalto HD wiper blade, L = 950 mm | 216130.FL | Exalto HD wiper blade, L = 1200 mm |
| 216128 | Exalto HD wiper blade, L = 1000 mm | 2161000 | Exalto wiper blade CN, L = 1000 mm |
| 216126P | Exalto HD wiper blade, L = 900 mm, polished | 2161200 | Exalto wiper blade CN, L = 1200 mm |
| 216127P | Exalto HD wiper blade, L = 950 mm, polished | 2161300 | Exalto wiper blade CN, L = 1300 mm |
| 216128P | Exalto HD wiper blade, L = 1000 mm, polished | 2161500 | Exalto wiper blade CN, L = 1500 mm |

Controller No. of Wipers Voltage

- | | | |
|-----------|--------------------------|---------------|
| 2134 | for 1 wiper | 12/24V |
| 2135 | for 2 wipers | 12/24V |
| 2159 | for 1 wiper | 24V |
| 210341P | for 1 wiper | 12/24V |
| 210342P | for 2 wipers | 12/24V |
| 210321224 | for max. 2 wipers | 12/24V |
| 210331224 | for max. 3 wipers | 12/24V |
| 210341224 | for max. 4 wipers | 12/24V |
| 210351224 | for max. 5 wipers | 12/24V |

Electrical data 24 volt

- | | |
|---------------------------|--|
| Torque (max.): | 85 Nm |
| Voltage: | 24 Volt |
| Nominal current: | 3/3,2 A |
| Stall current: | 9/12 A |
| Power consumption (max.): | 84 W |
| Number of revolutions: | Low speed 25 rpm, high speed 40 rpm |
| Recommended cable: | 5 wires, 1½ mm² (16 g) or 2½ mm² (14 g) up to 10 m long |
| Recommended fuse: | 15 A slow blow |
| Grounding: | Insulated earth return |

