

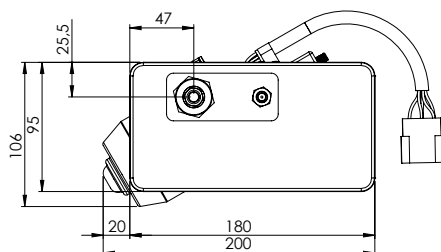
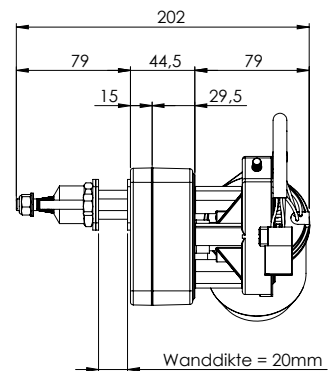
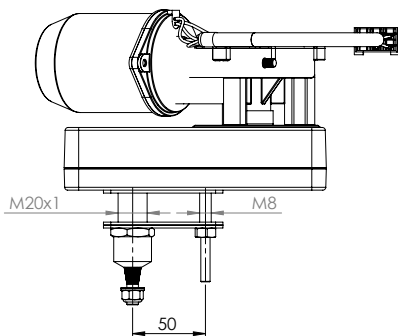
232 BD MD1 Wiper system

Application:	Windows up to 1100mm
Torque:	32Nm
Design:	Closed aluminium housing
Wipe Arc system:	Disc, 40-90°, adjustable per 5°
Pantograph system:	Double arm
Shafts:	1 x \varnothing 20 mm, 1 x \varnothing 8 mm
Center distance:	50 mm
Wiper arms:	Up to 750 mm in length
Wiper blades:	Up to 800 mm in length



Characteristics

- Pantograph / vertical wiping pattern
- 12 or 24 Volt DC
- Smooth quiet operation
- Slow and fast speed
- Self park function as standard
- Insulated earth return as standard
- Variable sweep angle as standard
- Standard shaft lengths up to 125 mm bulkhead thickness
- Various control options available for all bridge designs





Ordering details

2157.30	Exalto wiper 232BD, 12V, 23Nm, bh 20 mm	2158.30	Exalto wiper 232BD, 24V, 25Nm, bh 20 mm
2157.32	Exalto wiper 232BD, 12V, 23Nm, bh 35 mm	2158.32	Exalto wiper 232BD, 24V, 25Nm, bh 35 mm
2157.35	Exalto wiper 232BD, 12V, 23Nm, bh 55 mm	2158.35	Exalto wiper 232BD, 24V, 25Nm, bh 55 mm
2157.40	Exalto wiper 232BD, 12V, 23Nm, bh 75 mm	2158.40	Exalto wiper 232BD, 24V, 25Nm, bh 75 mm
2157.45	Exalto wiper 232BD, 12V, 23Nm, bh 100 mm	2158.45	Exalto wiper 232BD, 24V, 25Nm, bh 100 mm
2157.50	Exalto wiper 232BD, 12V, 23Nm, bh 125 mm	2158.50	Exalto wiper 232BD, 24V, 25Nm, bh 125 mm
		2109.01	Surcharge for deviating shaft length, specify length

Exalto wiper arms with adjustable spring(s)

2133	Exalto adjustable PU wiper arm, L = 270 – 450 mm, + 1 adjustable spring
2136	Exalto adjustable PU wiper arm, L = 450 – 600 mm, + 1 adjustable spring
2139	Exalto adjustable PU wiper arm, L = 510 – 750 mm, + 1 adjustable spring
2133.01	Exalto adjustable PU wiper arm, L = 270 – 450 mm, + 2 adjustable springs
2136.01	Exalto adjustable PU wiper arm, L = 450 – 600 mm, + 2 adjustable springs
2139.01	Exalto adjustable PU wiper arm, L = 510 – 750 mm, + 2 adjustable springs

Exalto wiper arms, 1 adjustable spring, polished

2133.P	Exalto adjustable PU wiper arm, L = 270 – 450 mm, + 1 adjustable spring
2136.P	Exalto adjustable PU wiper arm, L = 450 – 600 mm, + 1 adjustable spring
2139.P	Exalto adjustable PU wiper arm, L = 510 – 750 mm, + 1 adjustable spring

Spares and accessories for wiper arms

2133.03	Tubing retainer strip for 2133, L = 190mm
2136.03	Tubing retainer strip for 2136, L = 430mm
2139.03	Tubing retainer strip for 2139, L = 480mm
2105.976	Adjustable spring
2105	Swivel
2105.048	Headcover
2105.048P	Headcover polished arm
2184	Washing jet, 2 nozzles
2110.CPL	Washing jet, 6 nozzles



Exalto wiper blades

2170.HP **Exalto wiper blade, L = 250mm**
 2171.HP **Exalto wiper blade, L = 300mm**
 2172.HP **Exalto wiper blade, L = 350mm**
 2173.HP **Exalto wiper blade, L = 400mm**
 2174.HP **Exalto wiper blade, L = 450mm**
 2175.HP **Exalto wiper blade, L = 500mm**

2176.HP **Exalto wiper blade, L = 550mm**
 2177.HP **Exalto wiper blade, L = 600mm**
 2178.HP **Exalto wiper blade, L = 650mm**
 2179.HP **Exalto wiper blade, L = 700mm**
 2195.HP **Exalto wiper blade, L = 750mm**
 2196.HP **Exalto wiper blade, L = 800mm**

Exalto HD wiper blades

216120 **Exalto HD wiper blade, L = 610mm**
 216121 **Exalto HD wiper blade, L = 650mm**
 216122 **Exalto HD wiper blade, L = 700mm**
 216123 **Exalto HD wiper blade, L = 750mm**
 216124 **Exalto HD wiper blade, L = 800mm**

216120P **Exalto HD wiper blade, L = 610mm, polished**
 216121P **Exalto HD wiper blade, L = 650mm, polished**
 216122P **Exalto HD wiper blade, L = 700mm, polished**
 216123P **Exalto HD wiper blade, L = 750mm, polished**
 216124P **Exalto HD wiper blade, L = 800mm, polished**

Controller

No. of Wipers

Voltage

Electrical data

2134	for 1 wiper	12/24V
2135	for 2 wipers	12/24V
2158	for 1 wiper	12V
2159	for 1 wiper	24V
210341	for 1 wiper	12/24V
210342	for 2 wipers	12/24V
216324	for max. 3 wipers	12/24V
210321224	for max. 2 wipers	12/24V
210331224	for max. 3 wipers	12/24V
210341224	for max. 4 wipers	12/24V
210351224	for max. 5 wipers	12/24V

Voltage:	12 Volt / 24 Volt
Torque (max.):	32 Nm (12V/24V)
Current:	3 A (12V) / 1,5 A (24V)
Recommended fuse:	6A slow blow (12V) or 4A slow blow (24V)
Power consumption:	36 W
Number of revolutions:	Low speed 38 rpm High speed 56 rpm
Recommended cable:	5 wires, 1½ mm² (16g) or 2½ mm² (14g) up to 10m long
Grounding:	Insulated earth return

