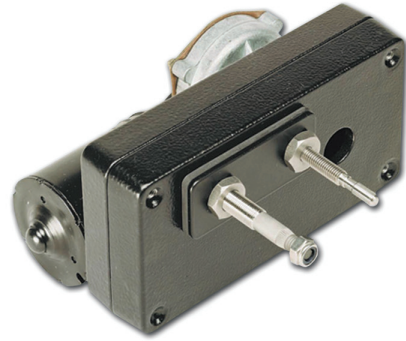


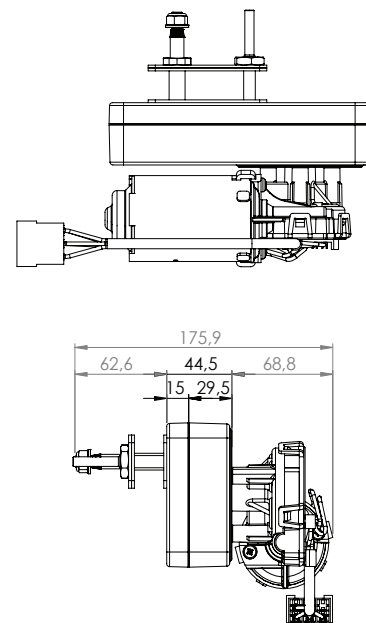
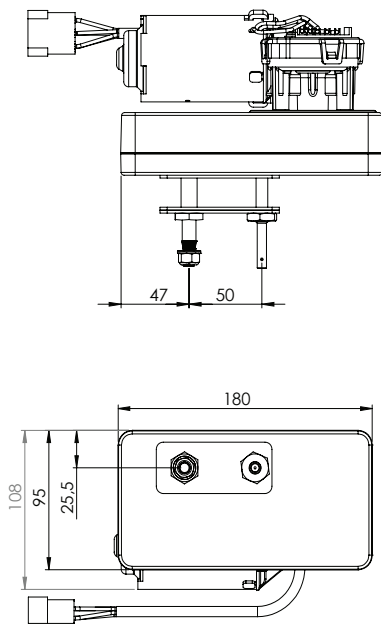
223 KGC MD1 Wiper system

Application:	Windows up to 700mm, glass mounted
Torque:	23 Nm
Design:	Closed aluminium housing
Wipe Arc system:	Disc, 40-90°, adjustable per 5°
Pantograph system:	Double arm
Shafts:	1 x \varnothing 11 mm, 1 x \varnothing 8 mm
Center distance:	50 mm
Wiper arms:	Up to 450 mm in length
Wiper blades:	Up to 500 mm in length



Characteristics

- Pantograph / vertical wiping pattern
- 24 Volt DC
- Smooth quiet operation
- Slow and fast speed
- Self park function as standard
- Insulated earth return as standard
- Variable sweep angle as standard
- Standard shaft lengths up to 17 mm bulkhead thickness
- Various control options available for all bridge designs



Glasdikte Max. 17mm



Ordering details

- XA2123 Exalto wiper 223KGC, 12V, 23Nm, bh 17 mm
- XA2124 Exalto wiper 223KGC, 24V, 25Nm, bh 17 mm

Exalto wiper arms with adjustable spring

- 2133 Exalto adjustable PU wiper arm, L = 270 – 450 mm, + 1 adjustable spring
- 2133.P Exalto adjustable PU wiper arm, L = 270 – 450 mm, + 1 adjustable spring (polished)

Spares and accessories for wiper arms

- 2133.03 Tubing retainer strip for 2133, L = 190mm
- 2105.976 Adjustable spring
- 2105 Swivel
- 2105.048 Headcover
- 2105.048P Headcover polished arm
- 2184 Washing jet, 2 nozzles
- 2110.CPL Washing jet, 6 nozzles

Exalto wiper blades

- 2170.HP Exalto wiper blade, L = 250mm
- 2171.HP Exalto wiper blade, L = 300mm
- 2172.HP Exalto wiper blade, L = 350mm
- 2173.HP Exalto wiper blade, L = 400mm
- 2174.HP Exalto wiper blade, L = 450mm
- 2175.HP Exalto wiper blade, L = 500mm

Controller	No. of Wipers	Voltage	Electrical data
2134	for 1 wiper	12/24V	Voltage: 12 Volt / 24 Volt
2135	for 2 wipers	12/24V	Torque (max.): 23 / 25 Nm (12V/24V)
2158	for 1 wiper	12V	Current: 3 A / 1,5 A (12V/24V)
2159	for 1 wiper	24V	Recommended fuse: 6 A / 4 A slow blow (12V/24V)
210341	for 1 wiper	12/24V	Power consumption: 36 W
210342	for 2 wipers	12/24V	Number of revolutions: Low speed 40 rpm
216324	for max. 3 wipers	12/24V	High speed 60 rpm
210321224	for max. 2 wipers	12/24V	Recommended cable: 5 wires, 1½ mm² (16g) or
210331224	for max. 3 wipers	12/24V	2½ mm² (14g) up to 10m long
210341224	for max. 4 wipers	12/24V	Grounding: Insulated earth return
210351224	for max. 5 wipers	12/24V	

