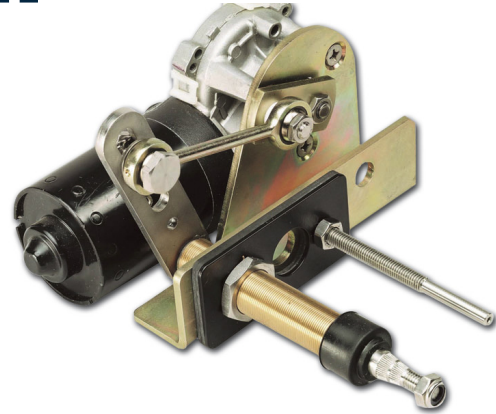


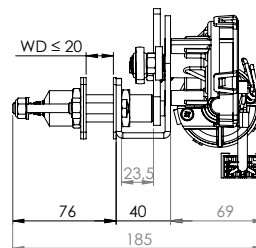
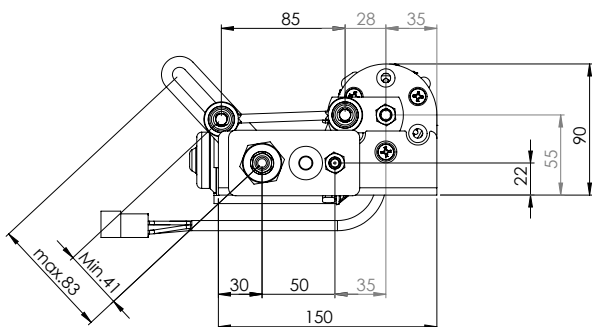
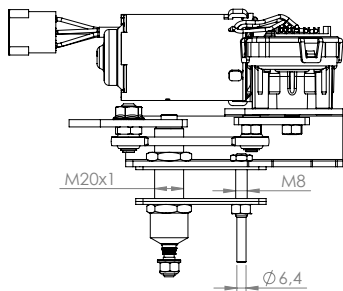
# 223 BST MD1 Wiper system

Application:	<b>Windows up to 1100mm</b>
Torque:	<b>23Nm</b>
Design:	<b>Open housing, tapered connection</b>
Wipe Arc system:	<b>Sleeve, 40-90°, steplless adjustable</b>
Pantograph system:	<b>Double arm</b>
Shafts:	<b>2 x <math>\varnothing</math> 20 mm, 1 x <math>\varnothing</math> 8 mm</b>
Center distance:	<b>50 mm</b>
Wiper arms:	<b>Up to 750 mm in length</b>
Wiper blades:	<b>Up to 750 mm in length</b>



## Characteristics

- Pantograph/vertical wiping pattern
- 12 or 24 Volt DC
- Smooth quiet operation
- Slow and fast speed
- Self park function as standard
- Insulated earth return as standard
- Variable sweep angle as standard
- Standard shaft lengths up to 125 mm bulkhead thickness
- Various control options available for all bridge designs





### Ordering details

XA2167.30T	<b>Exalto wiper 223BST, 12V, 23Nm, bh 20 mm</b>	XA2168.30T	<b>Exalto wiper 223BST, 24V, 25Nm, bh 20 mm</b>
XA2167.32T	<b>Exalto wiper 223BST, 12V, 23Nm, bh 35 mm</b>	XA2168.32T	<b>Exalto wiper 223BST, 24V, 25Nm, bh 35 mm</b>
XA2167.35T	<b>Exalto wiper 223BST, 12V, 23Nm, bh 55 mm</b>	XA2168.35T	<b>Exalto wiper 223BST, 24V, 25Nm, bh 55 mm</b>
XA2167.40T	<b>Exalto wiper 223BST, 12V, 23Nm, bh 75 mm</b>	XA2168.40T	<b>Exalto wiper 223BST, 24V, 25Nm, bh 75 mm</b>
XA2167.45T	<b>Exalto wiper 223BST, 12V, 23Nm, bh 100 mm</b>	XA2168.45T	<b>Exalto wiper 223BST, 24V, 25Nm, bh 100 mm</b>
XA2167.50T	<b>Exalto wiper 223BST, 12V, 23Nm, bh 125 mm</b>	XA2168.50T	<b>Exalto wiper 223BST, 24V, 25Nm, bh 125 mm</b>
		2109.01	<b>Surcharge for deviating shaft length, specify length</b>

### Exalto wiper arms with adjustable spring(s)

2133	<b>Exalto adjustable PU wiper arm, L = 270 – 450 mm, + 1 adjustable spring</b>
2136	<b>Exalto adjustable PU wiper arm, L = 450 – 600 mm, + 1 adjustable spring</b>
2139	<b>Exalto adjustable PU wiper arm, L = 510 – 750 mm, + 1 adjustable spring</b>
2133.01	<b>Exalto adjustable PU wiper arm, L = 270 – 450 mm, + 2 adjustable springs</b>
2136.01	<b>Exalto adjustable PU wiper arm, L = 450 – 600 mm, + 2 adjustable springs</b>
2139.01	<b>Exalto adjustable PU wiper arm, L = 510 – 750 mm, + 2 adjustable springs</b>

### Exalto wiper arms, 1 adjustable spring, polished

2133.P	<b>Exalto adjustable PU wiper arm, L = 270 – 450 mm, + 1 adjustable spring</b>
2136.P	<b>Exalto adjustable PU wiper arm, L = 450 – 600 mm, + 1 adjustable spring</b>
2139.P	<b>Exalto adjustable PU wiper arm, L = 510 – 750 mm, + 1 adjustable spring</b>

### Spares and accessories for wiper arms

2133.03	<b>Tubing retainer strip for 2133, L = 190mm</b>
2136.03	<b>Tubing retainer strip for 2136, L = 430mm</b>
2139.03	<b>Tubing retainer strip for 2139, L = 480mm</b>
2105.976	<b>Adjustable spring</b>
2105	<b>Swivel</b>
2105.048	<b>Headcover</b>
2105.048P	<b>Headcover polished arm</b>
2184	<b>Washing jet, 2 nozzles</b>
2110.CPL	<b>Washing jet, 6 nozzles</b>



### Exalto wiper blades

2170.HP Exalto wiper blade, L = 250mm  
 2171.HP Exalto wiper blade, L = 300mm  
 2172.HP Exalto wiper blade, L = 350mm  
 2173.HP Exalto wiper blade, L = 400mm  
 2174.HP Exalto wiper blade, L = 450mm  
 2175.HP Exalto wiper blade, L = 500mm

2176.HP Exalto wiper blade, L = 550mm  
 2177.HP Exalto wiper blade, L = 600mm  
 2178.HP Exalto wiper blade, L = 650mm  
 2179.HP Exalto wiper blade, L = 700mm  
 2195.HP Exalto wiper blade, L = 750mm

### Exalto HD wiper blades

216120 Exalto HD wiper blade, L = 610mm  
 216121 Exalto HD wiper blade, L = 650mm  
 216122 Exalto HD wiper blade, L = 700mm  
 216123 Exalto HD wiper blade, L = 750mm

216120P Exalto HD wiper blade, L = 610mm, polished  
 216121P Exalto HD wiper blade, L = 650mm, polished  
 216122P Exalto HD wiper blade, L = 700mm, polished  
 216123P Exalto HD wiper blade, L = 750mm, polished

### Controller

### No. of Wipers

### Voltage

### Electrical data

Controller	No. of Wipers	Voltage
2134	for 1 wiper	12/24V
2135	for 2 wipers	12/24V
2158	for 1 wiper	12V
2159	for 1 wiper	24V
210341	for 1 wiper	12/24V
210342	for 2 wipers	12/24V
216324	for max. 3 wipers	12/24V
210321224	for max. 2 wipers	12/24V
210331224	for max. 3 wipers	12/24V
210341224	for max. 4 wipers	12/24V
210351224	for max. 5 wipers	12/24V

Voltage:	12 Volt / 24 Volt
Torque (max.):	23Nm (12V) / 25Nm (24V)
Current:	3 A (12V) / 1,5 A (24V)
Recommended fuse:	6A slow blow (12V) or 4A slow blow (24V)
Power consumption:	36 W
Number of revolutions:	Low speed 40 rpm High speed 60 rpm
Recommended cable:	5 wires, 1½ mm <sup>2</sup> (16g) or 2½ mm <sup>2</sup> (14g) up to 10m long
Grounding:	Insulated earth return

