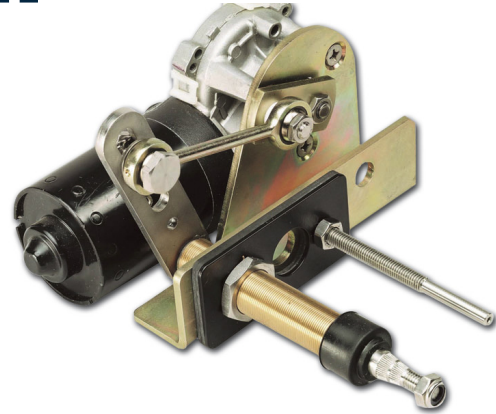


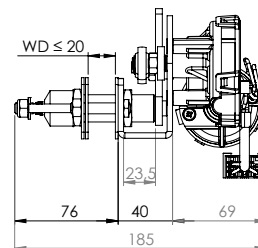
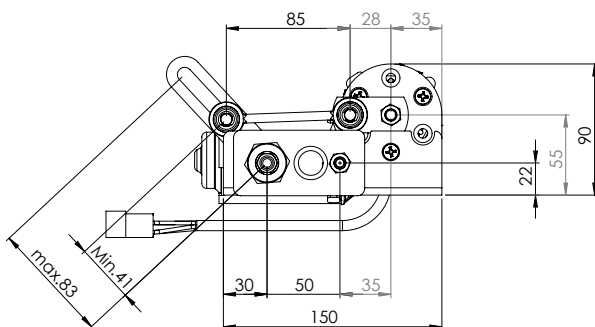
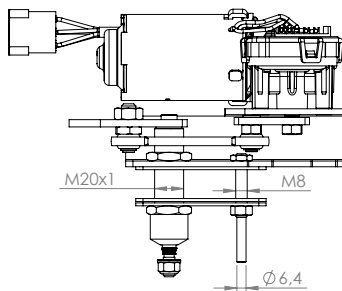
223 BS MD1 Wiper system

Application:	Windows up to 1100mm
Torque:	23Nm
Design:	Open housing
Wipe Arc system:	Sleeve, 40-90°, steplless adjustable
Pantograph system:	Double arm
Shafts:	2 x \varnothing 20 mm, 1 x \varnothing 8 mm
Center distance:	50 mm
Wiper arms:	Up to 750 mm in length
Wiper blades:	Up to 750 mm in length



Characteristics

- Pendulum wiping pattern
- 12 or 24 Volt DC
- Smooth quiet operation
- Slow and fast speed
- Self park function as standard
- Insulated earth return as standard
- Variable sweep angle as standard
- Standard shaft lengths up to 125 mm bulkhead thickness
- Various control options available for all bridge designs





Ordering details

XA2167.30	Exalto wiper 223BS, 12V, 23Nm, bh 20 mm	XA2168.30	Exalto wiper 223BS, 24V, 25Nm, bh 20 mm
XA2167.32	Exalto wiper 223BS, 12V, 23Nm, bh 35 mm	XA2168.32	Exalto wiper 223BS, 24V, 25Nm, bh 35 mm
XA2167.35	Exalto wiper 223BS, 12V, 23Nm, bh 55 mm	XA2168.35	Exalto wiper 223BS, 24V, 25Nm, bh 55 mm
XA2167.40	Exalto wiper 223BS, 12V, 23Nm, bh 75 mm	XA2168.40	Exalto wiper 223BS, 24V, 25Nm, bh 75 mm
XA2167.45	Exalto wiper 223BS, 12V, 23Nm, bh 100 mm	XA2168.45	Exalto wiper 223BS, 24V, 25Nm, bh 100 mm
XA2167.50	Exalto wiper 223BS, 12V, 23Nm, bh 125 mm	XA2168.50	Exalto wiper 223BS, 24V, 25Nm, bh 125 mm
		2109.01	Surcharge for deviating shaft length, specify length

Exalto wiper arms with adjustable spring(s)

2133	Exalto adjustable PU wiper arm, L = 270 – 450 mm, + 1 adjustable spring
2136	Exalto adjustable PU wiper arm, L = 450 – 600 mm, + 1 adjustable spring
2139	Exalto adjustable PU wiper arm, L = 510 – 750 mm, + 1 adjustable spring
2133.01	Exalto adjustable PU wiper arm, L = 270 – 450 mm, + 2 adjustable springs
2136.01	Exalto adjustable PU wiper arm, L = 450 – 600 mm, + 2 adjustable springs
2139.01	Exalto adjustable PU wiper arm, L = 510 – 750 mm, + 2 adjustable springs

Exalto wiper arms, 1 adjustable spring, polished

2133.P	Exalto adjustable PU wiper arm, L = 270 – 450 mm, + 1 adjustable spring
2136.P	Exalto adjustable PU wiper arm, L = 450 – 600 mm, + 1 adjustable spring
2139.P	Exalto adjustable PU wiper arm, L = 510 – 750 mm, + 1 adjustable spring

Spares and accessories for wiper arms

2133.03	Tubing retainer strip for 2133, L = 190mm
2136.03	Tubing retainer strip for 2136, L = 430mm
2139.03	Tubing retainer strip for 2139, L = 480mm
2105.976	Adjustable spring
2105	Swivel
2105.048	Headcover
2105.048P	Headcover polished arm
2184	Washing jet, 2 nozzles
2110.CPL	Washing jet, 6 nozzles



Exalto wiper blades

2170.HP **Exalto wiper blade, L = 250mm**
 2171.HP **Exalto wiper blade, L = 300mm**
 2172.HP **Exalto wiper blade, L = 350mm**
 2173.HP **Exalto wiper blade, L = 400mm**
 2174.HP **Exalto wiper blade, L = 450mm**
 2175.HP **Exalto wiper blade, L = 500mm**

2176.HP **Exalto wiper blade, L = 550mm**
 2177.HP **Exalto wiper blade, L = 600mm**
 2178.HP **Exalto wiper blade, L = 650mm**
 2179.HP **Exalto wiper blade, L = 700mm**
 2195.HP **Exalto wiper blade, L = 750mm**

Exalto HD wiper blades

216120 **Exalto HD wiper blade, L = 610mm**
 216121 **Exalto HD wiper blade, L = 650mm**
 216122 **Exalto HD wiper blade, L = 700mm**
 216123 **Exalto HD wiper blade, L = 750mm**

216120P **Exalto HD wiper blade, L = 610mm, polished**
 216121P **Exalto HD wiper blade, L = 650mm, polished**
 216122P **Exalto HD wiper blade, L = 700mm, polished**
 216123P **Exalto HD wiper blade, L = 750mm, polished**

Controller

No. of Wipers

Voltage

Electrical data

2134 for 1 wiper 12/24V
 2135 for 2 wipers 12/24V
 2158 for 1 wiper 12V
 2159 for 1 wiper 24V
 210341 for 1 wiper 12/24V
 210342 for 2 wipers 12/24V
 216324 for max. 3 wipers 12/24V
 210321224 for max. 2 wipers 12/24V
 210331224 for max. 3 wipers 12/24V
 210341224 for max. 4 wipers 12/24V
 210351224 for max. 5 wipers 12/24V

Voltage: **12 Volt / 24 Volt**
 Torque (max.): **23 Nm (12V) / 25Nm (24V)**
 Current: **3 A (12V) / 1,5 A (24V)**
 Recommended fuse: **5A slow blow (12V) or 3A slow blow (24V)**
 Power consumption: **36 W**
 Number of revolutions: **Low speed 40 rpm High speed 60 rpm**
 Recommended cable: **5 wires, 1½ mm² (16g) or 2½ mm² (14g) up to 10m long**
 Grounding: **Insulated earth return**

