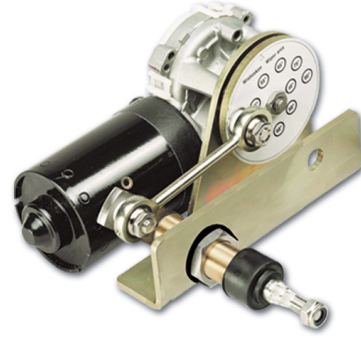


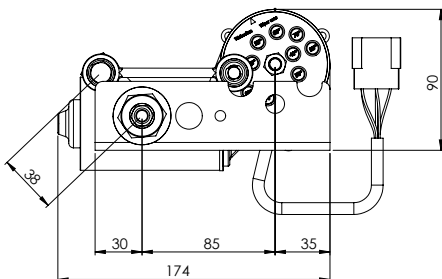
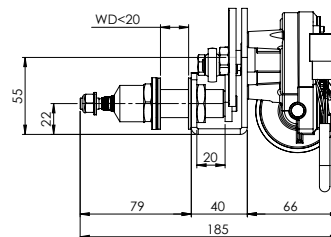
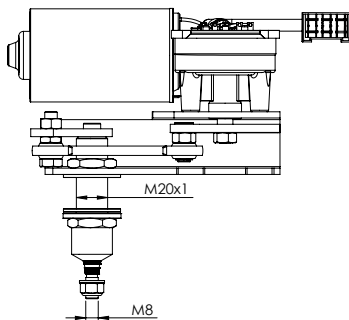
223 BDS MD1 Wiper system

Application:	Windows up to 1100mm
Torque:	23/25Nm
Design:	Closed aluminium housing
Wipe Arc system:	Disc, 40-90°, adjustable per 5°
Pantograph system:	Single arm
Shafts:	1 x ø 20 mm
Wiper arms:	Up to 750 mm in length
Wiper blades:	Up to 750 mm in length



Characteristics

- Pendulum wiping pattern
- 12 or 24 Volt DC
- Smooth quiet operation
- Slow and fast speed
- Self park function as standard
- Insulated earth return as standard
- Variable sweep angle as standard
- Standard shaft lengths up to 125 mm bulkhead thickness
- Various control options available for all bridge designs





Ordering details

XA2165.30S	Exalto wiper 223BDS, 12V, 23Nm, bh 20 mm	XA2166.30S	Exalto wiper 223BDS, 24V, 25Nm, bh 20 mm
XA2165.32S	Exalto wiper 223BDS, 12V, 23Nm, bh 35 mm	XA2166.32S	Exalto wiper 223BDS, 24V, 25Nm, bh 35 mm
XA2165.35S	Exalto wiper 223BDS, 12V, 23Nm, bh 55 mm	XA2166.35S	Exalto wiper 223BDS, 24V, 25Nm, bh 55 mm
XA2165.40S	Exalto wiper 223BDS, 12V, 23Nm, bh 75 mm	XA2166.40S	Exalto wiper 223BDS, 24V, 25Nm, bh 75 mm
XA2165.45S	Exalto wiper 223BDS, 12V, 23Nm, bh 100 mm	XA2166.45S	Exalto wiper 223BDS, 24V, 25Nm, bh 100 mm
XA2165.50S	Exalto wiper 223BDS, 12V, 23Nm, bh 125 mm	XA2166.50S	Exalto wiper 223BDS, 24V, 25Nm, bh 125 mm
		2109.01	Surcharge for deviating shaft length, specify length

Exalto wiper arms with adjustable spring

2103	Exalto adjustable single wiper arm, L = 300 – 450 mm, + 1 spring
2106	Exalto adjustable single wiper arm, L = 450 – 600 mm, + 1 spring
2109	Exalto adjustable single wiper arm, L = 600 – 750 mm, + 1 spring

Wiper motor covers

2101	Cover for MD1 223BDO wiper motor system, white
2115	Cover for MD1 223BDO wiper motor, black

Spares and accessories for wiper arms

2105.976	Adjustable spring
2105	Swivel
2105.048	Headcover
2105.048P	Headcover polished arm
2110.CPL	Washing jet, 6 nozzles



Exalto wiper blades

2170.HP **Exalto wiper blade, L = 250mm**
 2171.HP **Exalto wiper blade, L = 300mm**
 2172.HP **Exalto wiper blade, L = 350mm**
 2173.HP **Exalto wiper blade, L = 400mm**
 2174.HP **Exalto wiper blade, L = 450mm**
 2175.HP **Exalto wiper blade, L = 500mm**

2176.HP **Exalto wiper blade, L = 550mm**
 2177.HP **Exalto wiper blade, L = 600mm**
 2178.HP **Exalto wiper blade, L = 650mm**
 2179.HP **Exalto wiper blade, L = 700mm**
 2195.HP **Exalto wiper blade, L = 750mm**

Exalto HD wiper blades

216120 **Exalto HD wiper blade, L = 610mm**
 216121 **Exalto HD wiper blade, L = 650mm**
 216122 **Exalto HD wiper blade, L = 700mm**
 216123 **Exalto HD wiper blade, L = 750mm**

216120P **Exalto HD wiper blade, L = 610mm, polished**
 216121P **Exalto HD wiper blade, L = 650mm, polished**
 216122P **Exalto HD wiper blade, L = 700mm, polished**
 216123P **Exalto HD wiper blade, L = 750mm, polished**

Controller

No. of Wipers

Voltage

Electrical data

2134	for 1 wiper	12/24V
2135	for 2 wipers	12/24V
2158	for 1 wiper	12V
2159	for 1 wiper	24V
210341	for 1 wiper	12/24V
210342	for 2 wipers	12/24V
216324	for max. 3 wipers	12/24V
210321224	for max. 2 wipers	12/24V
210331224	for max. 3 wipers	12/24V
210341224	for max. 4 wipers	12/24V
210351224	for max. 5 wipers	12/24V

Voltage:	12 Volt / 24 Volt
Torque (max.):	23 Nm (12V) / 25Nm (24V)
Current:	3 A (12V) / 1,5 A (24V)
Recommended fuse:	5A slow blow (12V) or 3A slow blow (24V)
Power consumption:	36 W
Number of revolutions:	Low speed 40 rpm High speed 60 rpm
Recommended cable:	5 wires, 1½ mm² (16g) or 2½ mm² (14g) up to 10m long
Grounding:	Insulated earth return

