

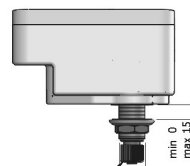
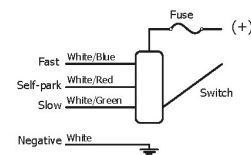
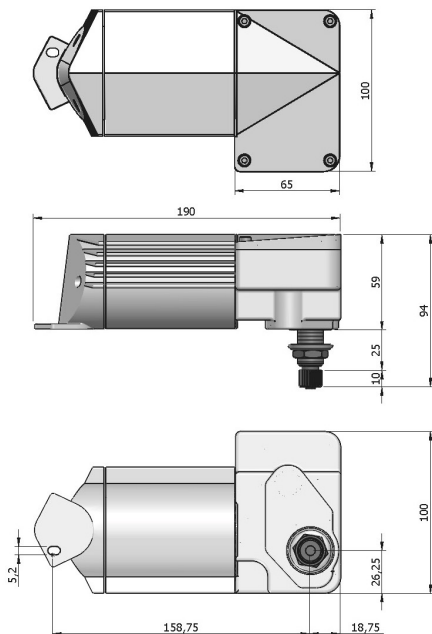
215 BD LD Wiper system

Application:	Windows up to 1100mm
Torque:	15Nm
Design:	Closed housing IP66
Wipe Arc system:	40-110°, adjustable in 10° steps
Shafts:	1 x Ø16mm
Idler spindle:	6mm (externally mounted)
Wiper arms:	Up to 600mm in length
Wiper blades:	Up to 600mm in length



Characteristics

- Pantograph or pendulum wiping pattern
- 12 or 24 Volt DC
- Smooth quiet operation
- Slow and fast speed
- Self park function as standard
- Insulated earth return as standard
- Adjustable sweep angle as standard, 40-110°, in 10° increments
- Standard shaft lengths 25/50/75mm for bulkhead thickness 0-15/15-40/40-65mm respectively
- Various control options available



Colour	Function	Pol
White/Blue	High Speed	+
White/Red	Stop-Self park	+
White/Green	Low Speed	+
White	Negative	-

12V - 5A Fuse



Ordering details LD Wiper motors

White cover

2151225IER	Exalto wiper 215BD, 12V, 15Nm, shaft length = 25mm
2151250IER	Exalto wiper 215BD, 12V, 15Nm, shaft length = 50mm
2151275IER	Exalto wiper 215BD, 12V, 15Nm, shaft length = 75mm
2152425IER	Exalto wiper 215BD, 24V, 15Nm, shaft length = 25mm
2152450IER	Exalto wiper 215BD, 24V, 15Nm, shaft length = 50mm
2152475IER	Exalto wiper 215BD, 24V, 15Nm, shaft length = 75mm

Black cover

2151225IER.B	Exalto wiper 215BD, 12V, 15Nm, shaft length = 25mm
2151250IER.B	Exalto wiper 215BD, 12V, 15Nm, shaft length = 50mm
2151275IER.B	Exalto wiper 215BD, 12V, 15Nm, shaft length = 75mm
2152425IER.B	Exalto wiper 215BD, 24V, 15Nm, shaft length = 25mm
2152450IER.B	Exalto wiper 215BD, 24V, 15Nm, shaft length = 50mm
2152475IER.B	Exalto wiper 215BD, 24V, 15Nm, shaft length = 75mm

Exalto LD wiper arms SS304

21581118	LD single arm, adjustable wiper arm, L = 330 – 450mm
21581124	LD single arm, adjustable wiper arm, L = 450 – 600mm
21581218	LD single arm, adjustable wiper arm + adjustable clip, L = 330 – 450mm
21581224	LD single arm, adjustable wiper arm + adjustable clip, L = 450 – 600mm
21581318	LD pantograph adjustable wiper arm, L = 330 – 450mm
21581324	LD pantograph adjustable wiper arm, L = 450 – 600mm
21581618	LD pantograph adjustable wiper arm with 2 springs, L = 330 – 450mm
21581624	LD pantograph adjustable wiper arm with 2 springs, L = 450 – 600mm

NB: external pantograph plate supplied with the wiper arm

Exalto LD wiper blades SS304

21582011-SS	LD wiper blade, L = 280mm (11")	21582018-SS	LD wiper blade, L = 450mm (18")
21582012-SS	LD wiper blade, L = 300mm (12")	21582020-SS	LD wiper blade, L = 500mm (20")
21582014-SS	LD wiper blade, L = 350mm (14")	21582020-SS	LD wiper blade, L = 550mm (22")
21582016-SS	LD wiper blade, L = 400mm (16")	21582020-SS	LD wiper blade, L = 600mm (24")

Controller No. of Wipers Voltage

70906425.SET	for 1 LD wiper	12/24V
2159812	for max 3 LD wipers	12/24V
21591824	for max 3 LD wipers	24V
210604	for max 4 LD wipers	12/24V

Electrical data

Torque (max.):	15Nm
Voltage:	12 Volt / 24 Volt
Nominal current:	5A
Number of revolutions:	Low speed 28 rpm, High speed 60 rpm
Recommended cable:	4 wires, 1½ mm² (16g) or 2½ mm² (14g) up to 10m long
Recommended fuse:	5A slow blow (12V) or 3A slow blow (24V)
Grounding:	Insulated earth return

